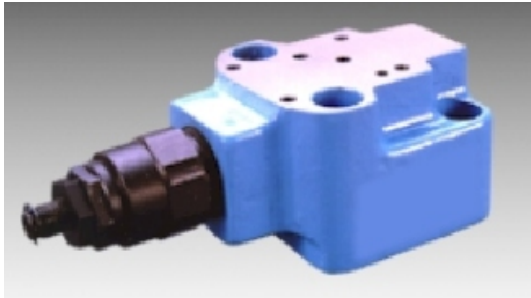
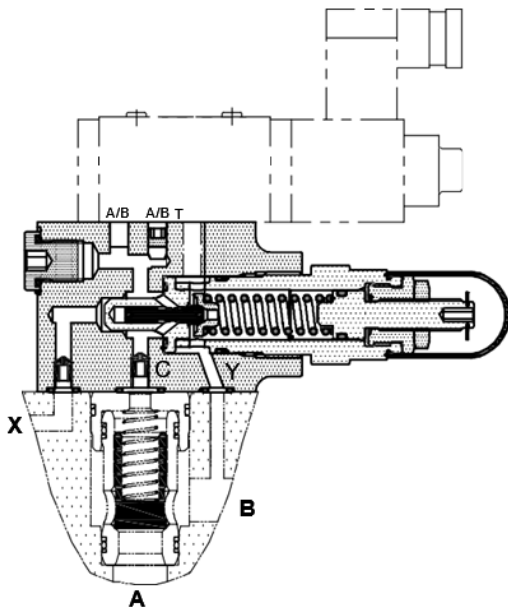


DESCRIPTION

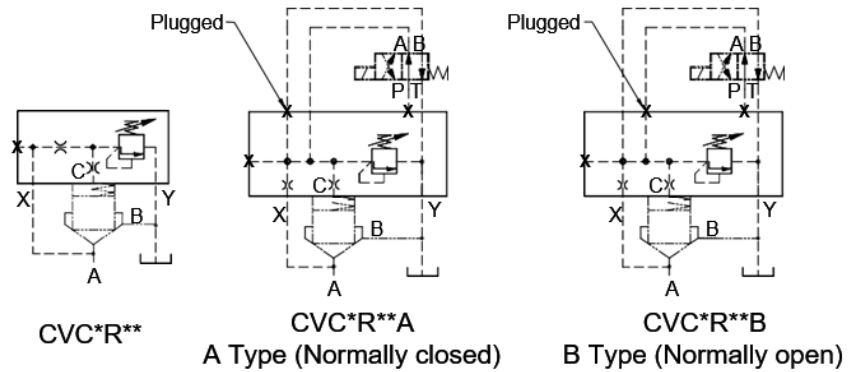


The Covers CVC*R are designed to hold HYDRONINE make 2 port slip-in cartridge valves model CV*** in the cavities machined as per ISO 7368, and are meant to create a pilot operated relief function, when combined with a valve having a poppet area ratio of 1:1. The covers have options of having pressure adjustment facility by means of Set screw or a Hand knob. Clockwise rotation of the screw increases the pressure setting. These covers are also available with an optional facility to mount on them, a Solenoid operated Directional Control Valve to give the combination an added feature of unloading a pump or regulating pressure and exhausting a cylinder side by means of an electrical signal to the Solenoid.

SECTION



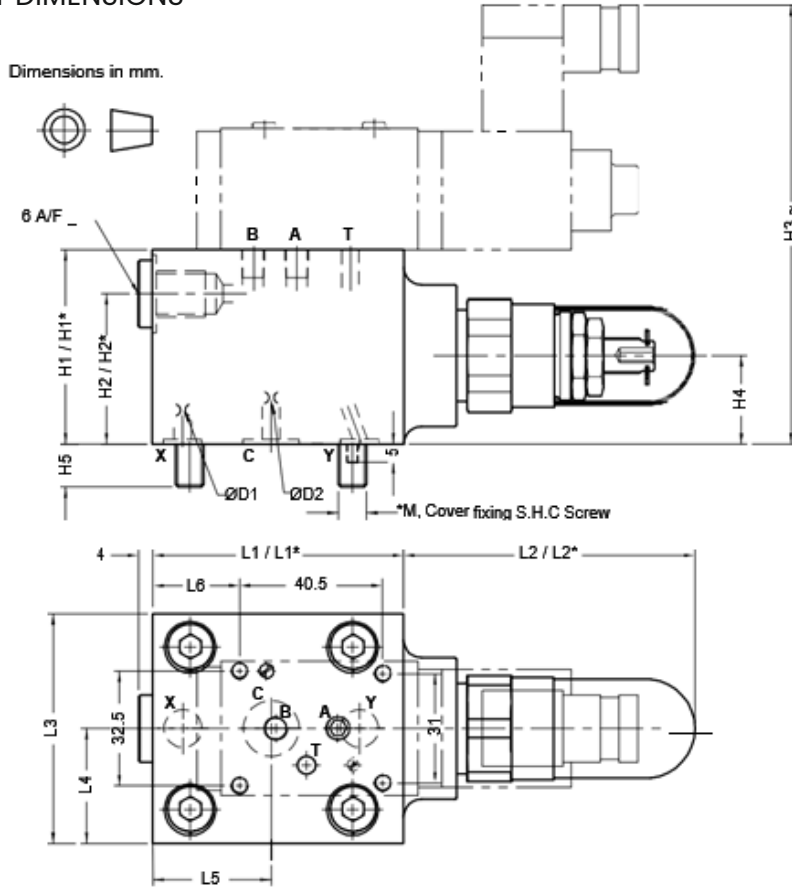
HYDRAULIC SYMBOL



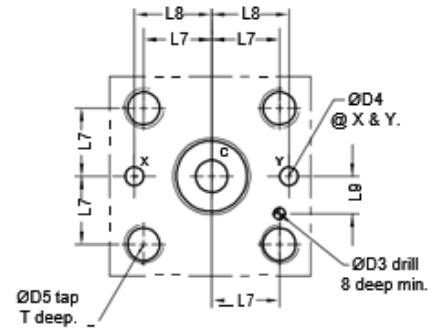
TECHNICAL SPECIFICATIONS

| | | |
|----------------------------|---|------------------------------|
| Mounting interface | : | As per ISO 7368 |
| Working pressure | : | 350 bar. |
| Hydraulic medium | : | Mineral oil. |
| Temperature range | : | -20°C to + 80°C. |
| Viscosity range | : | 10 cSt to 380 cSt. |
| Fluid cleanliness required | : | ISO 4406 20/18/15 or better. |

UNIT DIMENSIONS



Cover mounting interface as per ISO 7368.



Notes:

- Cover fixing S.H.C Screws are OUT OF SCOPE OF SUPPLY.
- Mounting interface for Soln. D.C.V as per ISO 4401-03-02.

| Size | Mass Kg. appr. | L1 | L2 | L3 | L4 | L5 | L6 | L7 | L8 | L9 | L10 | L11 | L12 | ØD1 | ØD2 max | ØD3 | t1 | t2 | H1 | H2 | H3 | H4 | H5 | *M. 4 nos. Cover fixing S.H.C. Screw (Class 12.9) | Tightening Torque. |
|------|----------------|-----|-----|------|-----|------|------|------|------|------|-----|------|------|-----|---------|-----|----|----|----|----|----|----|-----|---|--------------------|
| 16 | 2.0 | 65 | 80 | 14.5 | 137 | 27 | 37.5 | 33.5 | 32.5 | 23 | 25 | 23 | 10.5 | 4 | 4 | M8 | 14 | 10 | 50 | 13 | 20 | 12 | 155 | M8 x 40 Long | 39 Nm |
| 25 | 2.2 | 85 | 85 | 23.5 | 146 | 35.5 | 49.5 | 42.5 | 42.5 | 29 | 33 | 29 | 16 | 6 | 6 | M12 | 20 | 10 | 40 | 18 | 18 | 18 | 145 | M12 x 45 Long | 135 Nm |
| 32 | 4.1 | 102 | 102 | 32 | 154 | 43.5 | 58.5 | 51 | 51 | 35 | 41 | 35 | 17 | 6 | 8 | M16 | 26 | 10 | 50 | 24 | 24 | 24 | 155 | M16 x 55 Long | 330 Nm |
| 40 | 7.4 | 125 | 125 | 43.5 | 166 | 56.5 | 69.5 | 62.5 | 62.5 | 42.5 | 50 | 42.5 | 23 | 6 | 10 | M20 | 33 | 10 | 60 | 30 | 30 | 30 | 165 | M20 x 70 Long | 650 Nm |

ORDERING CODE

